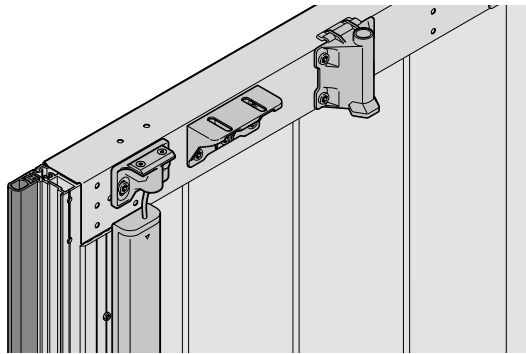
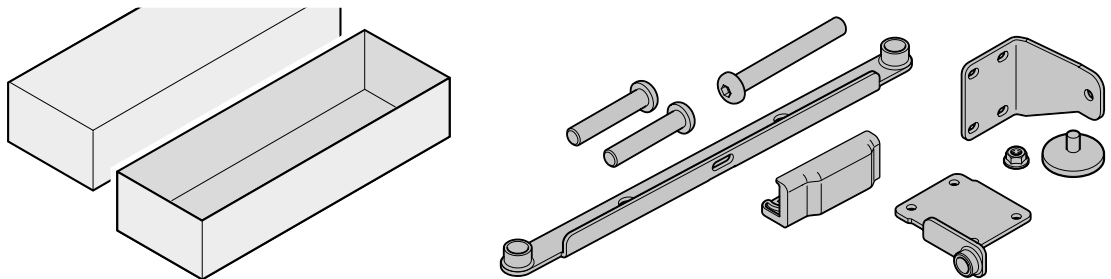


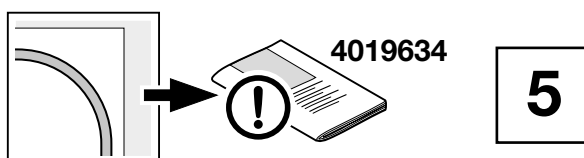
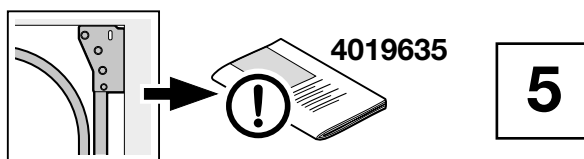
I



II

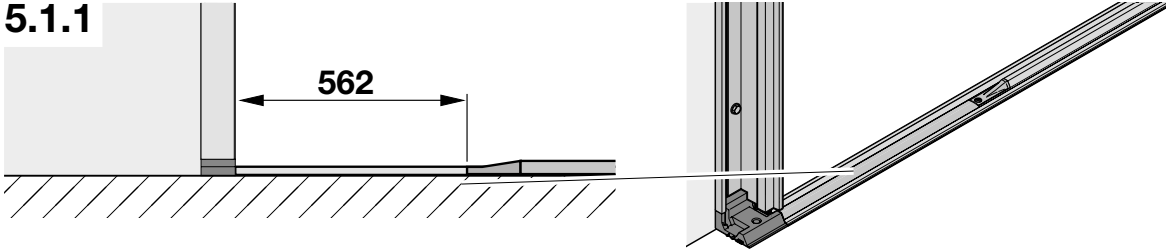


III

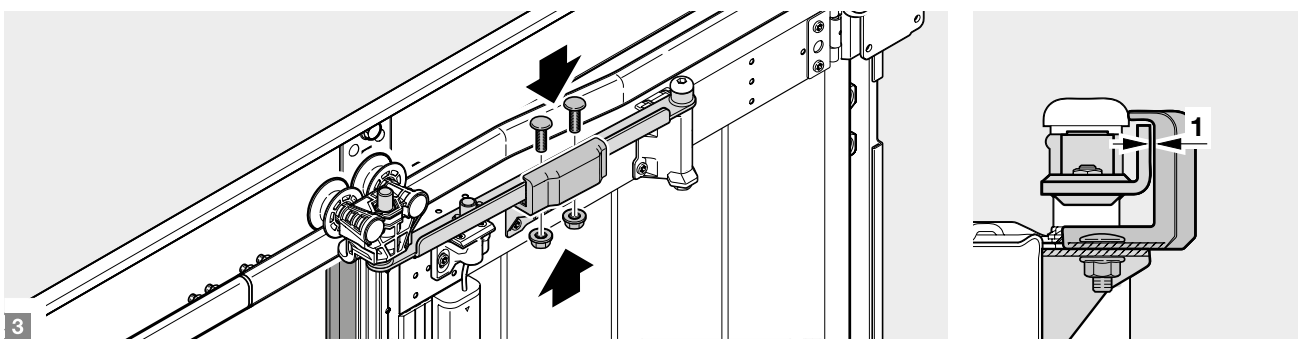
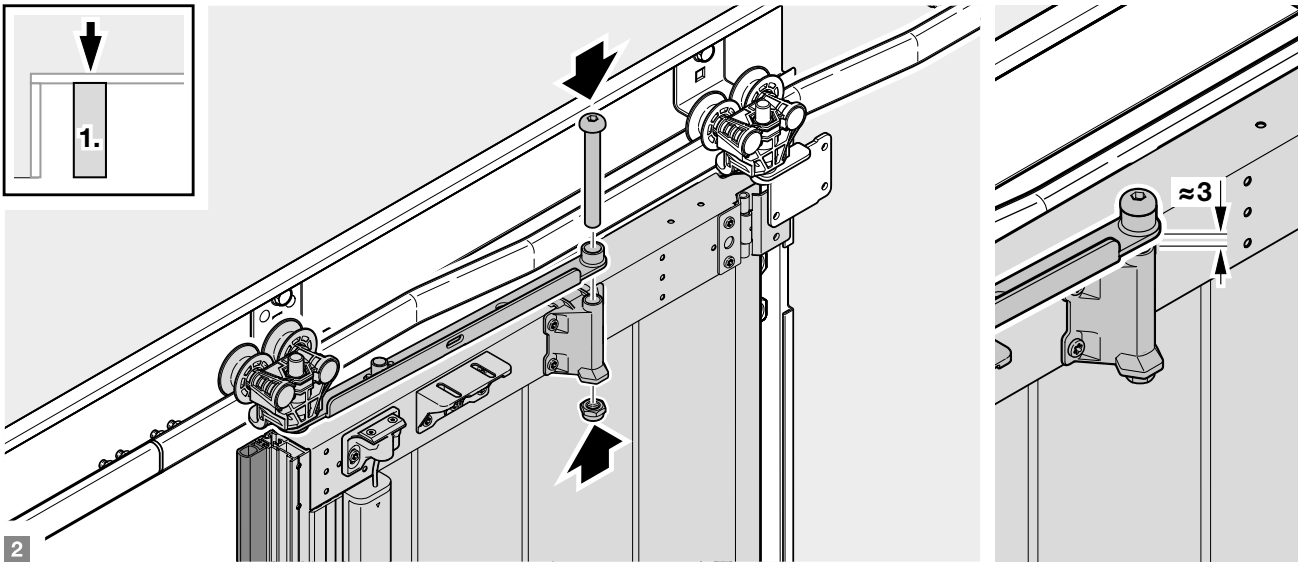
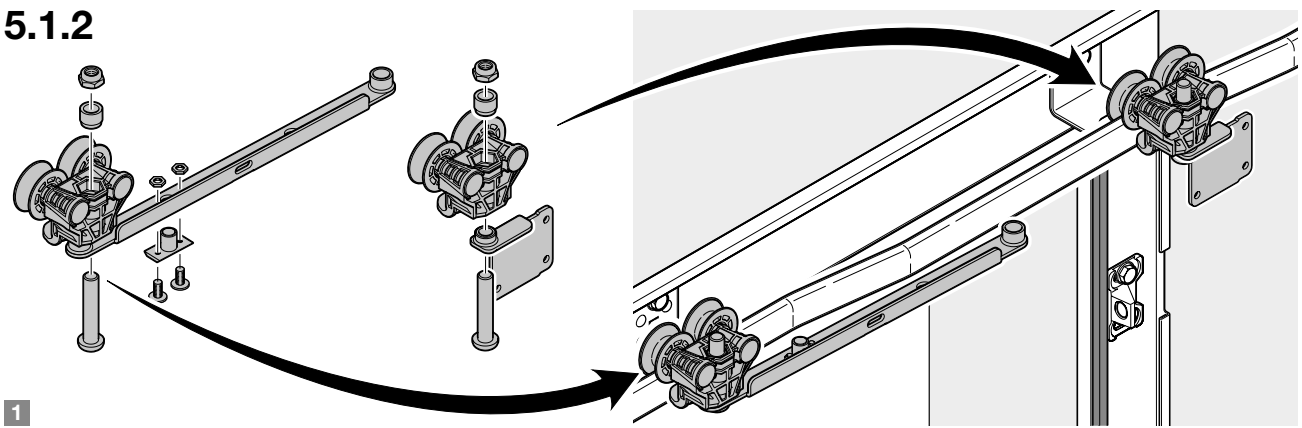




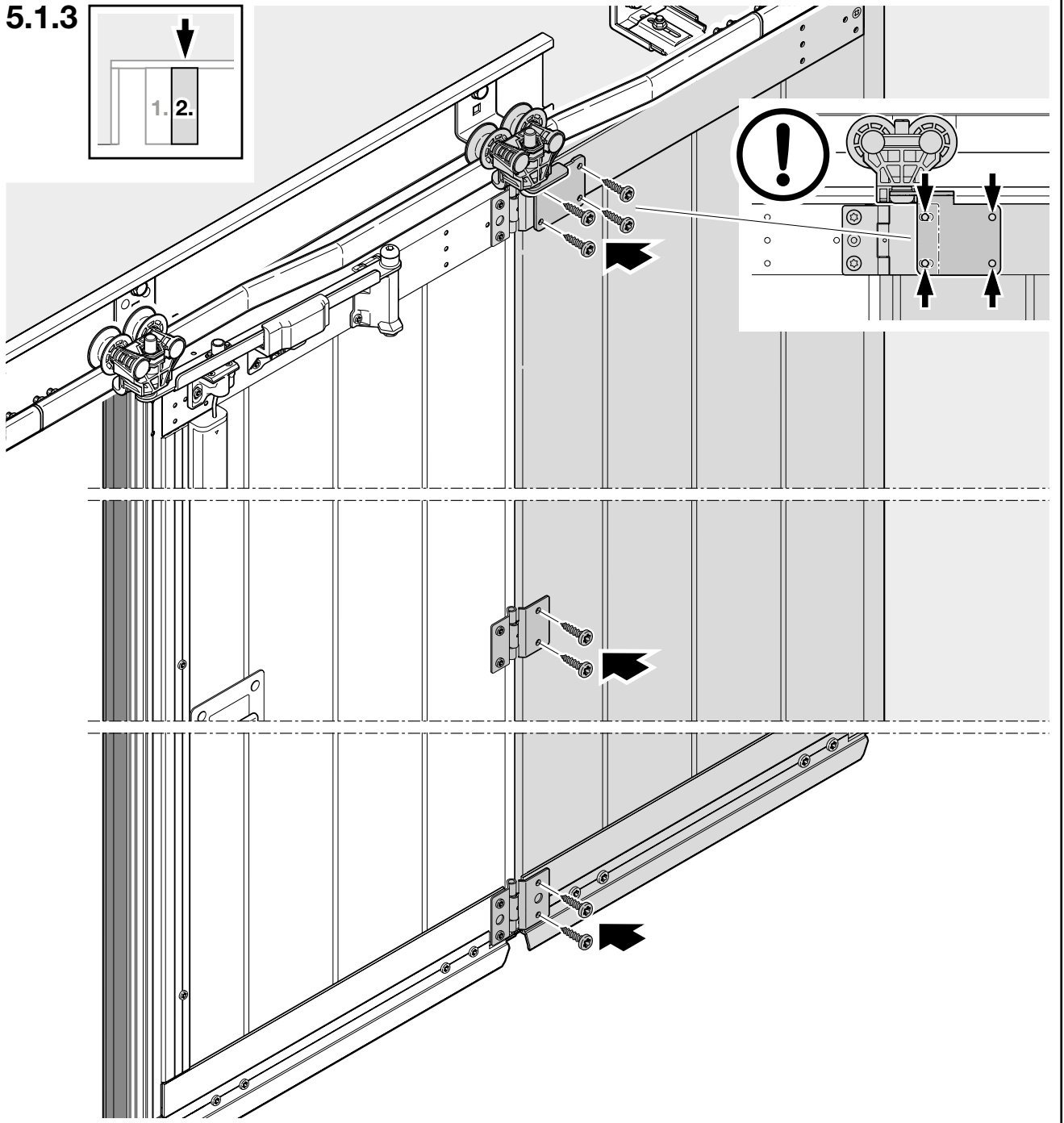
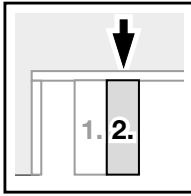
5.1.1



5.1.2



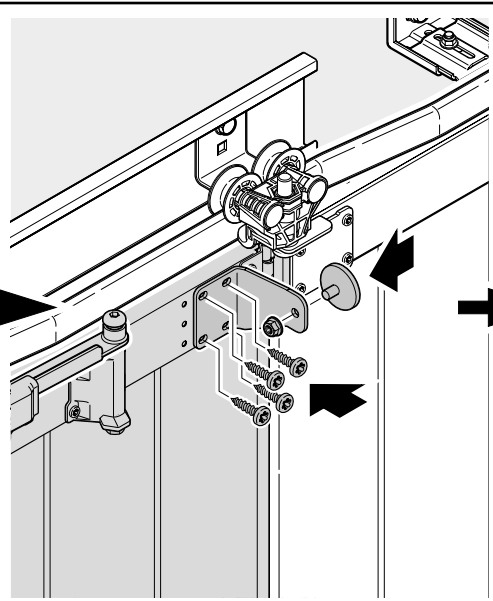
5.1.3



→ 5.2-5.3-5.4



→ 5.2-5.3

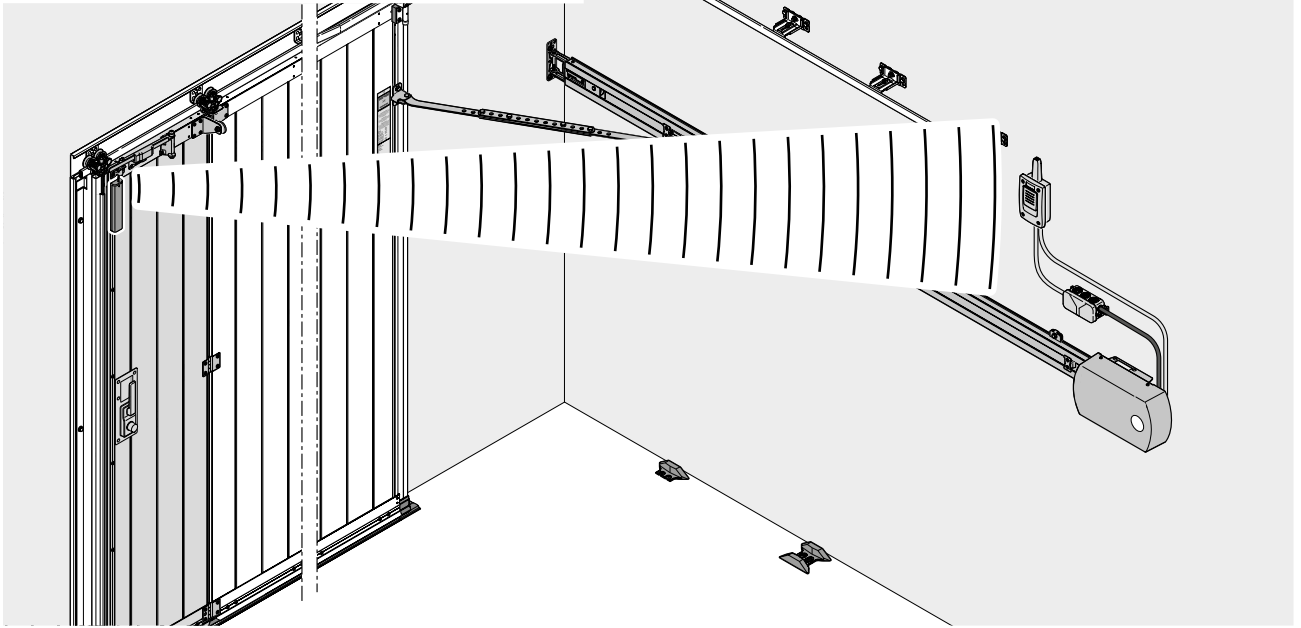
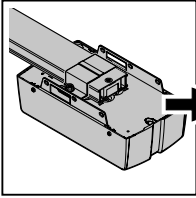


→ 6 ...

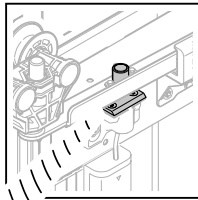
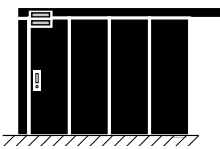


→ 6 ...

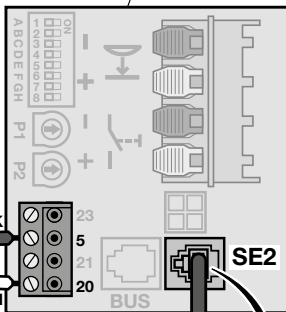
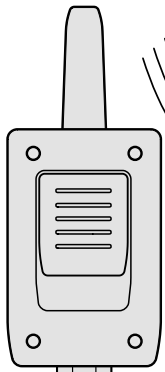
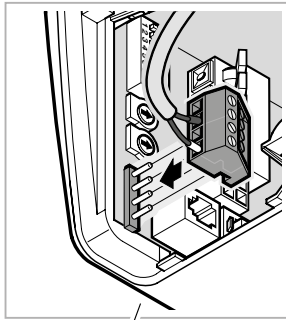
10



10.1

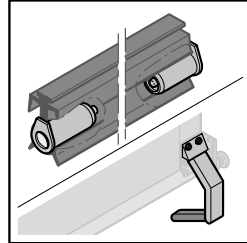


STK
5 mA



10.2

SKS 30 mA



VL 65 mA

